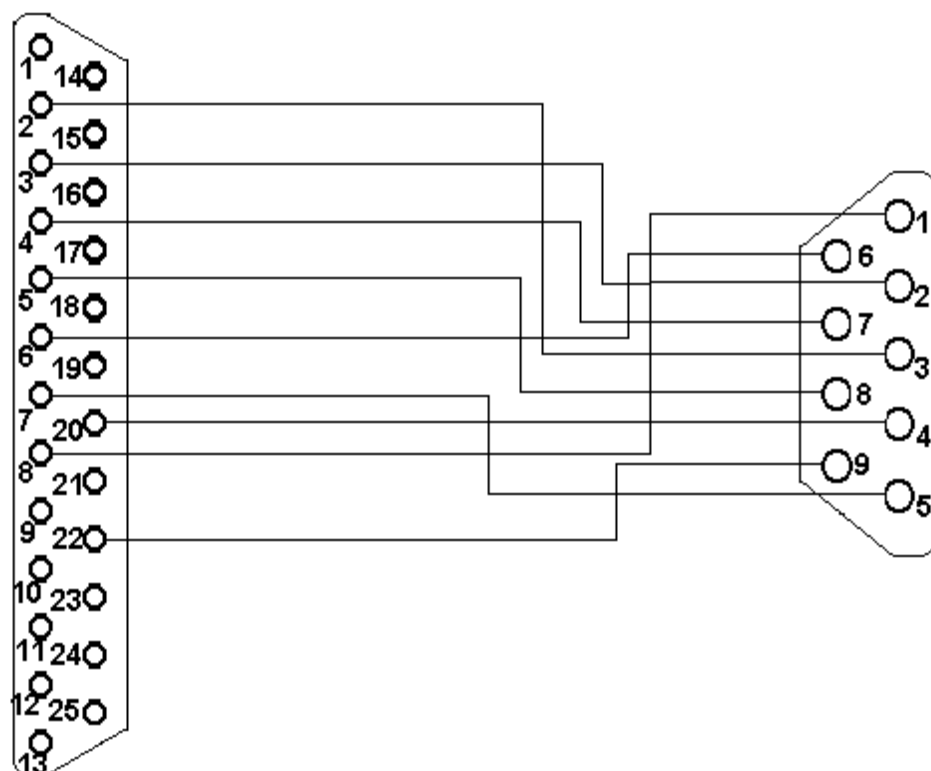


Straight - Thru Modem Cable DB-25 Male to DB-9 Female



STRAIGHT - THRU MODEM CABLE

DB - 25 Male

Db - 9 Female

TD	2	3	TD
RD	3	2	RD
RTS	4	7	RTS
CTS	5	8	CTS
DSR	6	6	DSR
SG	7	5	SG
CD	8	1	CD
DTR	20	4	DTR
RI	22	9	RI

TD - Transmit Data
RD - Receive Data
RTS - Request to Send
CTS - Clear to Send
SG - Signal Ground
DTR - Data Terminal Ready
CD - Carrier Detect
RI - Ring Indicator
DSR - Data Set Ready