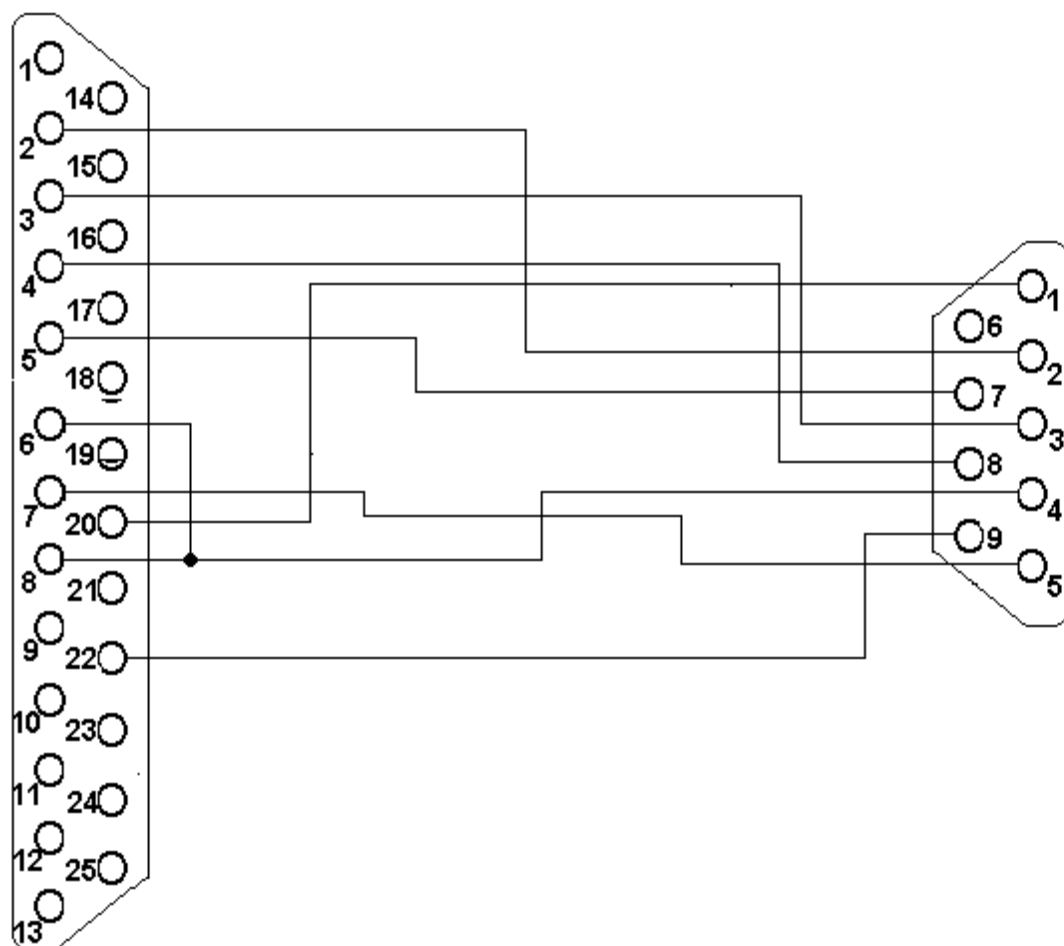


Null - Modem Cable DB-25 Male to DB-9 Female



NULL - MODEM	
DB - 25 Male	Db - 9 Female
TD — 2	2 — RD
RD — 3	3 — TD
RTS — 4	8 — CTS
CTS — 5	7 — RTS
DSR — 6	
SG — 7	5 — SG
CD — 8	4 — DTR
DTR — 20	1 — CD
RI — 22	9 — RI

TD - Transmit Data
 RD - Receive Data
 RTS - Request to Send
 CTS - Clear to Send
 SG - Signal Ground
 DTR - Data Terminal Ready
 CD - Carrier Detect
 RI - Ring Indicator