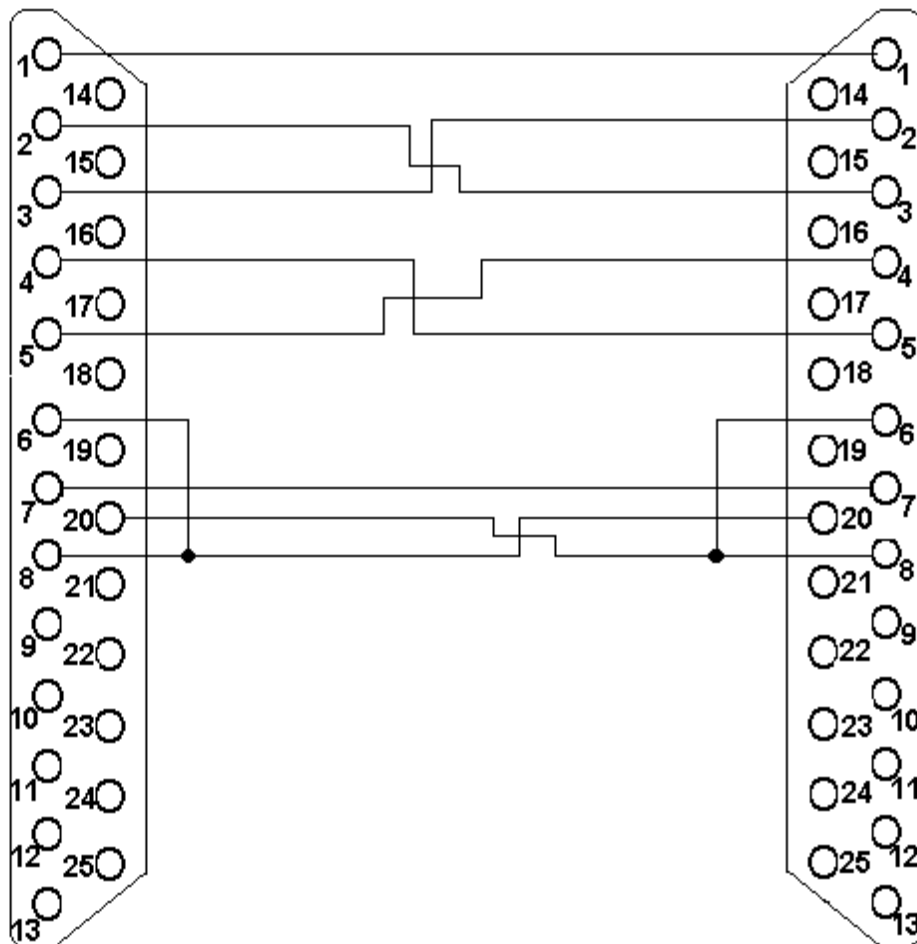


Null - Modem cable
DB - 25 Male to DB - 25 Female



NULL - MODEM

DB - 25 Male

DB - 25 Female

PG 1	_____	1 PG
TD 2	_____	3 RD
RD 3	_____	2 TD
RTS 4	_____	5 CTS
CTS 5	_____	4 RTS
DSR 6	_____	6 DSR
SG 7	_____	7 SG
CD 8	_____	20 DTR
DTR 20	_____	8 CD

TD - Transmit Data
 RD - Receive Data
 RTS - Request to Send
 CTS - Clear to Send
 SG - Signal Ground
 DTR - Data Terminal Ready
 CD - Carrier Detect
 RI - Ring Indicator
 Pg - Protective Ground